

LOOP POWERED TEMPERATURE TRANSMITTER

MODEL NO.: TMP-215 (LED DISPLAY)



PANEL MOUNT (PM)



Weatherproof



Magnetic Pen for Programming

Flameproof



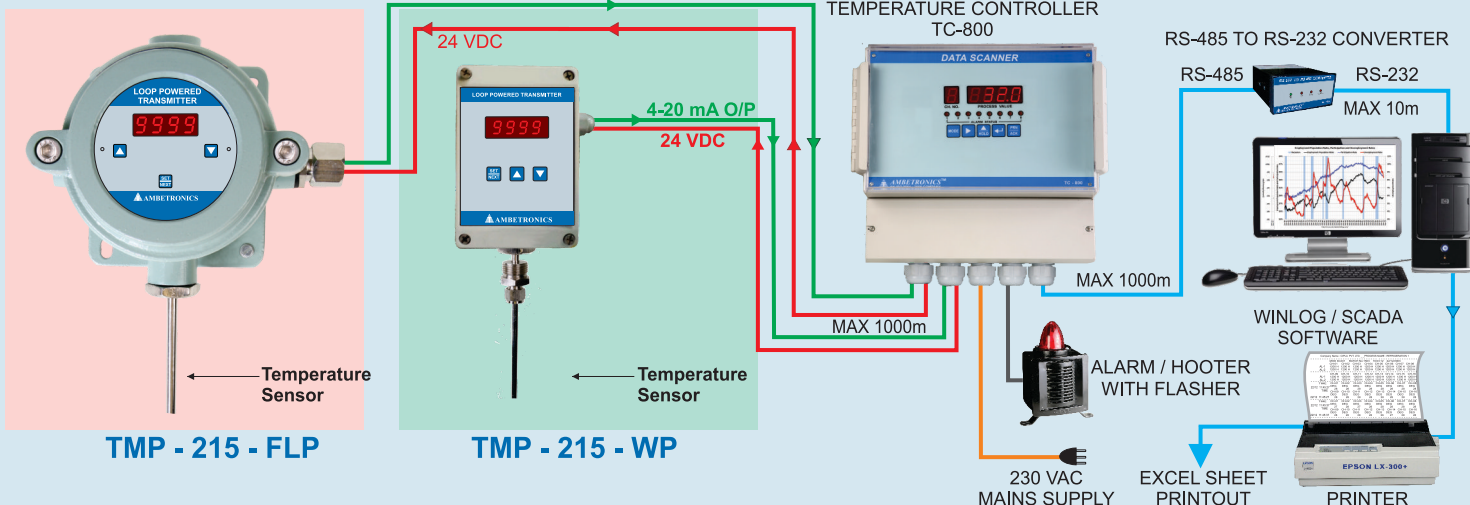
Magnetic Wand for Programming

ILLUSTRATION

Hazardous Area

Safe Area

Safe Area / Control Room



Features

- ◆ Highly Reliable, Fast, Accurate Sensing Technology
- ◆ Universal type Input: RTD, J, K, R, S
- ◆ User Friendly, Simple To Operate & Easy To Install
- ◆ Power On Startup Through Intelligent Electronics, Self Driven Menu
- ◆ Easy-to-read Display, Fast Response
- ◆ Easy Programming With Password Protection with password change facility for user and calibration mode.
- ◆ Software Calibration- No Trimpots
- ◆ Industrial Standard, 4- 20 mA O/P With Respect To The Full Scale Of Input Type
- ◆ Built-In Reverse Polarity Protection
- ◆ Reduced Operating Maintenance And Installation Cost
- ◆ Excellent Long Term Stability
- ◆ Non-Intrusive programming for Flameproof model using Magnetic Pen

Applications

- ◆ Oven & BOD, Incubator, Humidity Chamber
- ◆ Winding Temperature Of Generators, Bearings, Motors & Transformers
- ◆ Foundries For Heat Treatment Application
- ◆ Chemical & Hazardous Area Where Data Monitoring is Essential
- ◆ Iron & Steel Industry For Soaking Pits, Oxygen Plate, Smelter Plant
- ◆ Cement Plants For Process Automation
- ◆ Water Purification & Treatment Plants
- ◆ Primary & Auxiliary Temperature Scanning Of Boilers
- ◆ Sugar Industry For Pan Alternation, Dailer Automation
- ◆ Paper & Pulp Industry For Washers, Head Box Feed, Bleachers Etc.
- ◆ Chemical & Petrochemical Industries
- ◆ Water Pumping Stations
- ◆ Power Plants

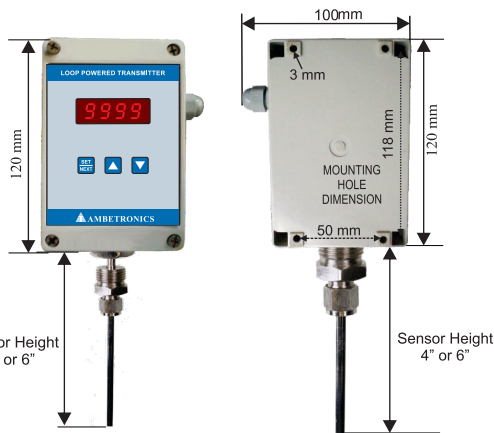
MUST FOR HUMAN AND INDUSTRIAL SAFETY

TECHNICAL SPECIFICATIONS

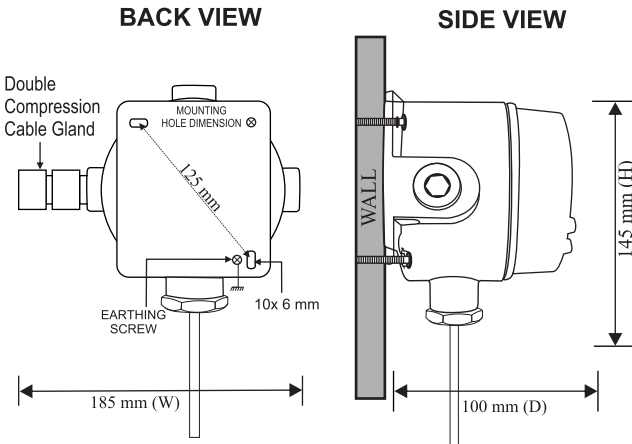
Input Range	RTD (PT-100)	J- Type	K-Type	R-Type	S-Type
Resolution	(-99.9 To 400.0°C)	0 To 750°C	0 To 1200°C	0 to 1750°C	0 to 1750°C
Accuracy	0.1°C	1°C	1°C	1°C	1°C
Compensation	Automatic Cold Junction Compensation for Thermocouple (J, K, R & S type); Specify cable length while order.				
Sensor Probe details	Please specify while ordering.				
Loop Output	Industrial standard, 4-20mA with permissible load 750 ohms at 24VDC, 25mA.				
Setting	Setting by 3 keys on front panel i.e 'SET/NEXT', 'p' & 'q' for Panel Mount & Weatherproof Model. by using Magnetic Pen (only for Flameproof Model)				
Monitoring	i) Display: Sensor 'Open/Break' shows 'oPen', Under range shows 'Undr' & Over range shows 'ouEr'				
Sensor OPEN / UNDER / OVER	ii) Loop Current: Up scale current: 21 mA, Down Scale current : 3.7 mA, Scale is programmable.				
Supply Voltage	14 To 36 VDC, normally 24VDC, 25mA				
Operating Temperature	(-40 To 85°C)				
Relative Humidity	Below 95% non condensing				
Enclosure Details	WEATHERPROOF (WP)	FLAMEPROOF (FLP)	FLAMEPROOF (FLP)	PANEL MOUNT (PM)	
Protection Class	IP-65	CMRI approved for IIA & IIB Gas Group		IP-40	
Cabinet Material	Polycarbonate, Grey Colour	Cast Alluminium alloy, LM-6 / C. I. Enclosure		ABS Plastic, Black colour	
Cable Entry	1 No, Thermoplastic Cable Gland (IP-68)	1 No, Double compression cable gland (EX-proof), 3/4" ET- Type		Terminal connector for connection	
Dimension in mm	120(H) x 100(W) x 55(D)	145(H)x185(W) x100(D)		96(H)x 96(W) x 85(D)	
Mounting	Wall Mounting / Stand Mounting	Wall Mounting / Stand Mounting		Panel Mounting	
Weight	250 gms	1 Kg		Approx 250 Gms	

DIMENSIONS

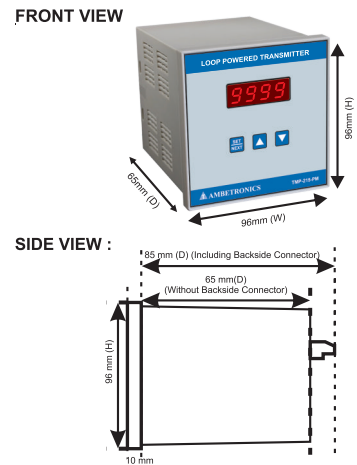
WEATHERPROOF MODEL (WP) FRONT VIEW SIDE & BACK VIEW



FLAMEPROOF MODEL (FLP) BACK VIEW SIDE VIEW



Panel Mount (PM): FRONT VIEW SIDE VIEW



ORDERING INFORMATION

TMP - 215

A

A) Enclosure

- 1) Weatherproof (WP)
- 2) Flameproof (FLP)
- 3) Panel Mount (PM)

B

D) Sensor Length

- 1) 4"
- 2) 6"
- 3) Specify while ordering
- 4) Duct Mounting

NOTE : For any customize requirement contact factory

Manufactured by :

AMBETRONICS ENGINEERS PVT. LTD.

17-B, Tarun Industrial Estate, Mogra Pada, New Nagardas Road, Andheri (E.) Mumbai - 400 069, India.

Mob.: +91-9324571143 • +91-9137820984 • Tel.: +91-22-61673000/58/64, 28371143

E-mail : sales1@ambetronics.com • sales9@ambetronics.com • Web : www.ambetronics.com



Follow us on



MAKE IN INDIA

www.ambetronics.com

Version : TMP-215- R1-01-01-2016

Specifications subject to change without any prior notice