



Front View



Features

- 7 Segments L.E.D. display Indication for Differential Pressure.
- User Programmable 2 no. Alarms AL1 , AL2.
- Intergrated Buzzer for Alarm limits violation with Acknowledgment facility.
- Software calibration facility, 'Calibration Due' and 'Sensor Replace' indication .
- Password protected programming
- Isolated RS-485 with Modbus RTU Protocol communication for PLC, SCADA etc.
- Optional in built 2 No Relay.
- Optional 4-20mA output.

Applications

- Clean room application in Pharmaceutical
- Pharma Environments monitoring applications
- HVAC (Heating, ventilation, Air conditioning, Cooling).
- Animal house clean room
- Cold Storage

TECHNICAL SPECIFICATIONS

Input

Sensor : Built in Differential Pressure sensor with Brass Hose Nozzels (Chrome Plated) for +Ve Pressure connection & -Ve Pressure connection

Range & Resolution

Sr. No.	Range	Resolution
DP 1.	(-100 to 100) mmWC,	0.1
DP 2.	(-10 to 10) cmWC,	0.1
DP 3.	(-7.5 to 7.5) mmHG,	0.1
DP 4.	(-1000 to 1000) Pascal,	1
DP 5.	(-10 to 10) Hectopascal,	0.1

Note : Other Differential Pressure Range/Unit, Available on request, Contact factory.

Accuracy

Differential Pressure : $\pm 1\%$ of FS

Indication

Display : 4 digit Seven Segment 0.4" Red L.E.D. display for Differential Pressure indication

Status indication : 2 L.E.D.s 'AL1 and AL2' for for Alarms and 'COM' L.E.D. for communication

Audio Indication : Integrated buzzer for Alarm limits violation

Output (Optional)

Relay : 2 Nos. SPDT or 1 No. DPDT relay of rating '2A/24VDC' Potential free contacts (NO-C-NC)

Current Output : 1 No. 4-20mA output with 680E load capacity,

Accuracy of current output : 0.125% FS.

Communication

RS-485 Slave : Isolated RS-485 communication with Modbus RTU Protocol

Programmable Settings : Baud rate 9600 bps, Parity (O/E/N), Data bits (8), Stop bits(1/2)

No. of slave ID : 1-250

Minimum Polling interval : 200 milliseconds

Programmable Parameters

Set point : 2 Nos. AL1, AL2 User Programmable

Programming of parameters : 3 Nos. push button front keys (with password protection)

Alarm logic : High or Low, user programmable

Environmental

Operating Ambient Temp. : 0 to 50°C

Humidity : Below 95% RH, Non condensing.

Electrical

Supply voltage : 18 to 36VDC, Typically 24VDC

Power consumption : Less than 1.2 watt at 24VDC

Dimension

Flush mounting plate : SS-304

Front plate size : 90 mm(H) x110 mm(W)

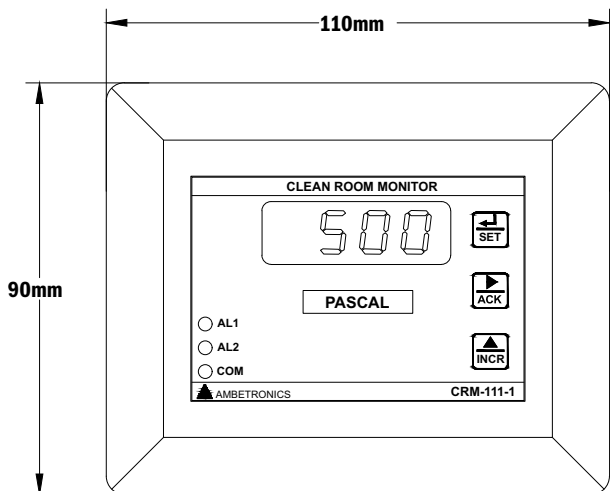
Back enclosure : MS with powder coated

Over all Dimension : 90 mm(H) x 110 mm(W) x 43 mm(D)

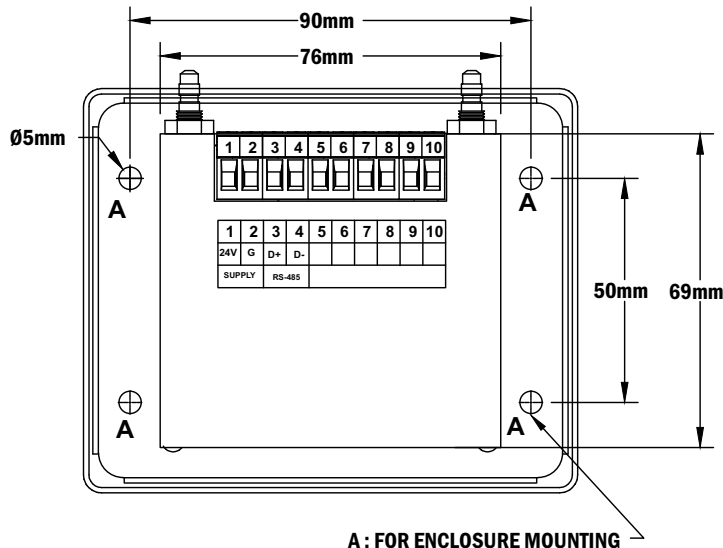
Mounting : Modular wall mounting with Stainless Steel Front

DIMENSIONAL DETAILS

FRONT VIEW

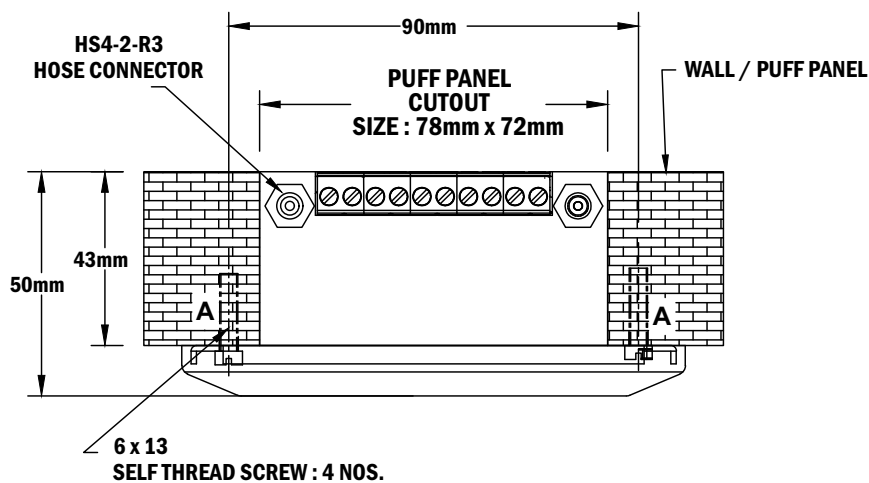


BACK VIEW

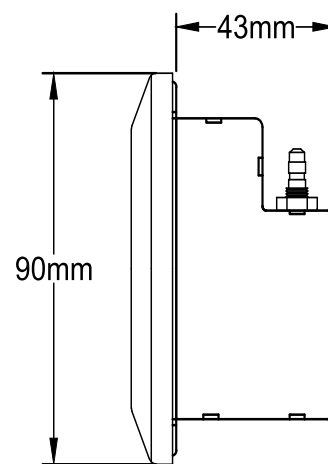


A : FOR ENCLOSURE MOUNTING

TOP VIEW



SIDE VIEW



ORDERING INFORMATION

CRM — A —	B —	C —	D —	E
A) Model No. 1) 111-1	B) Range & Resolution I) Select Range & Resolution from table	C) Output 1) None 2) 1 No. DPDT Relay 3) 2 Nos. SPDT Relay 4) 4-20mA Current O/P 5) 1 No. DPDT Relay+4-20mA O/P 6) 2 Nos. SPDT Relay+4-20mA O/P	D) Communication Port 1) None 2) RS-485 port	E) Communication Software 1) None 2) 21 CFR Part II compliance SCADA Software (Communication Software is available if RS-485 port is ordered)

* Before placing order; Refer the above ordering information or Contact below address for assistance.

Manufactured by :



AMBETRONICS ENGINEERS PVT. LTD.

17-B, 16, 14A, Tarun Industrial Estate, New Nagardas Road, Mogra Pada, Andheri (E.) Mumbai - 400 069, India.

+91-22-69623389 +91-93207 37646 sales8@ambetronics.com
 +91-22-61673021/22 +91-91674 18106 sales11@ambetronics.com



Follow us on

Version : CRM-111-1-R3-12-01-2024

Specifications subject to change without any prior notice