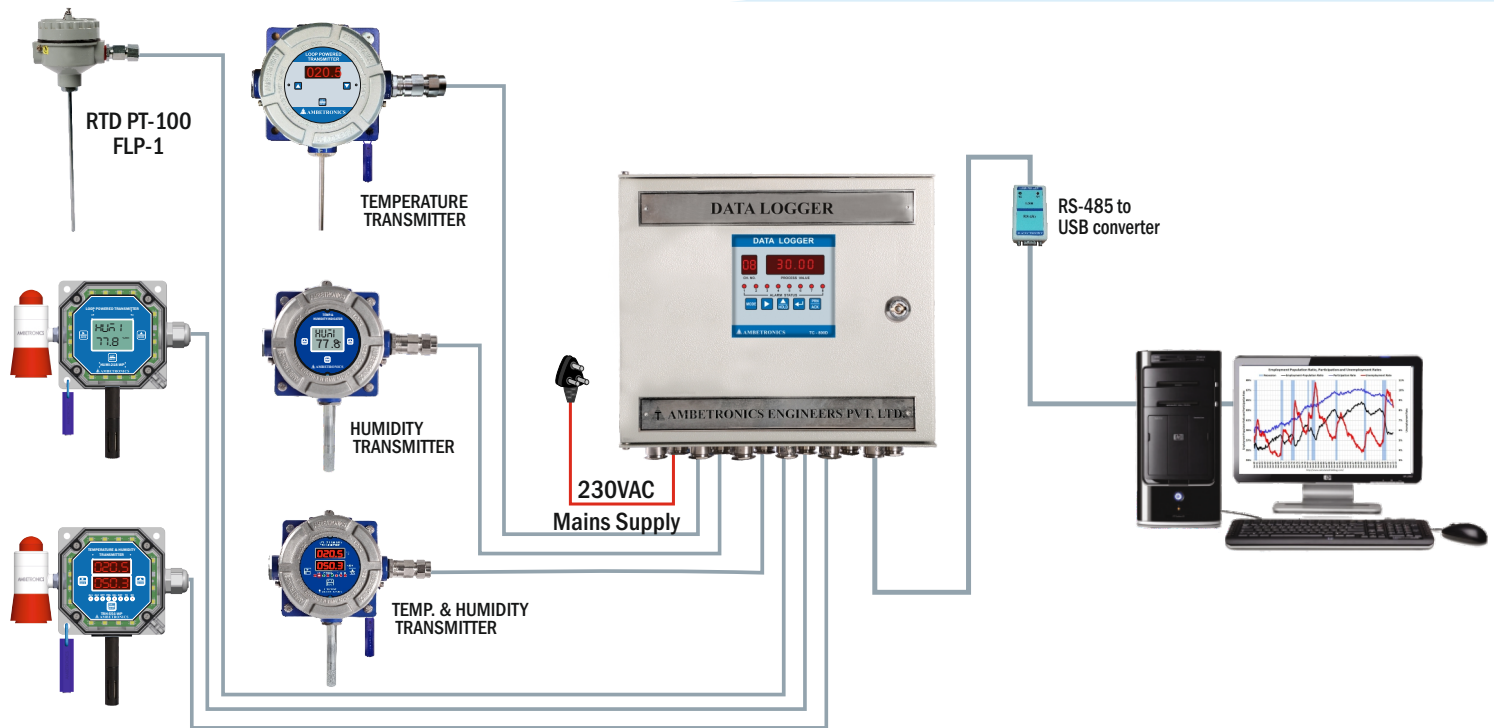


TC-800 - MS

Data Scanner / Data Logger



AMBETRONICS
AN ISO 9001:2015 CERTIFIED COMPANY



ORDER CODE : TC-800-MS-0-0

Features

- Used latest micro controller based technology for better accuracy
- 8 Channel fixed input for all type of thermocouple (J, K, R, S, T, E, B, N) programmable by user, RTD (PT-100), 4-20mA & 0-10 VDC factory settable
- Easy on-line field calibration by front panel membrane keypad
- Field programmable channel scan time 1 to 59 sec., Logging interval 1 to 9999 sec
- Optional RS-485 / RS-232 Modbus Serial Port
- Automatic cold junction compensation for Thermocouples
- Temp. reading in °C & °F by user selectable

Applications

- ISO Certification records, Validation process certifying
- Pharmaceutical process validation with graph & excel report in Autoclaves
- Online profile recording for Oven & BOD, Incubator, Humidity Chamber
- Winding temperature of generators, Bearings, motors, transformers
- To know heat Profile in furnace, foundries for Heat treatment application
- Primary & auxiliary temperature scanning of boiler
- Chemical & Hazardous area where data monitoring is essential
- Room Mapping in Pharmaceutical

TECHNICAL SPECIFICATIONS

INPUTS	RANGE		RESOLUTION	ACCURACY
	Minimum	Maximum	NORMAL	FULL SCALE
RTD PT-100	-99.9°C	400.0°C	0.1	± 0.25%
J - Type (Fe - CON)	-99.9°C	450.0°C	0.1	± 0.25%
K - Type (Cr - Al)	-99.9°C	500.0°C	0.1	± 0.25%
K - Type (Cr - Al),	-99.9°C	1350°C	1	± 0.25%
N - Type	-99.9°C	1300°C	1	± 0.25%
R-Type (PT - 13%Rh / PT), S-Type (PT - 10%Rh / PT)	0°C	1750°C	1	± 0.25%
T - Type (Cu / CON)	-99.9°C	400.0°C	0.1	± 0.25%
E-Type (NI Cr / CON)	-99.9°C	1000°C	1	± 0.25%
B-Type (PT 30% Rh / PT 6% Rh)	+400°C	1820°C	1	± 0.25%
4 To 20mA / 0 To 20mA	- 999	9999	Programmable By user	± 0.25%
Voltage (0 To 1 VDC / 0 To 10 VDC)	- 999	9999		± 0.25%

MUST FOR HUMAN & INDUSTRIAL SAFETY

TECHNICAL SPECIFICATIONS

General :

- Display** : 4 digits of 13 mm height Red L.E.D display for 'Process Value' indication
1 digit of 13 mm height Red L.E.D display for 'Channel Number' indication
- L.E.D. Indication** : 8 Nos Red L.E.Ds of 3 mm for Alarm Indications i.e. AL1 & AL 2
- Set Point** : 2 independent set points for each channel with 2 common relay outputs & programmable latch / non-latch facility for 2 common relays & Alarm indications
- Control Action** : HI - LO, LO - Very LO, HI-Very HI Control action logic; programmable by user
- Relay Output** : 1 NO/C/NC Relay Contact Rated 230VAC/5A for Relay-1 (AL1) & Relay-2 (AL2)
- Setting** : Setting by 5 feather touch keypad on front panel 'MODE', 'SHIFT', 'INC', 'ENT', 'PRN / ACK' for panel & WP model and push keys for Flameproof model.
- Scan Time** : 0 to 59 sec scan/scroll time between each channel; programmable by user
- Logging Interval** : 1 to 9999 Sec log interval for data logger model; programmable by user
- Memory** : Max. 5193 readings storing capacity for all 8 channel in Data Logger model
Memory saturation, Memory Scrolling (FIFO) & Online PC interface available in Data Logger model
- Monitoring Sensor** : Temperature sensor 'Break / Open' display shows 'oPEn' indication or random value
- Open/Under/Over** : Under range 'undr'. Over range 'OuEr' indication for RTD & all Thermocouple I/4-20mA

Electrical :

- Supply Voltage** : 100 to 270VAC
- Frequency** : 50Hz

Environmental :

- Operating Temperature** : - 40 To 85 C
- Relative Humidity** : Below 95%RH non condensing

Optional :

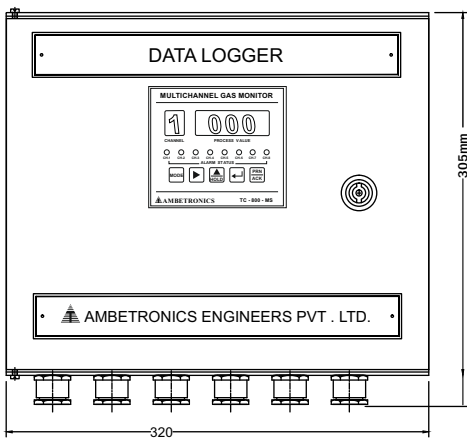
- Isolated RS-485 / RS-232 Serial Port with MODBUS RTU Protocol output.
- SMARTLOG & Smart Pro Data Acquisition Softwares for online graphs & history data reports
- Individual Relay output or Grouping Relay output can be given for each channel

MS Panel Housing :

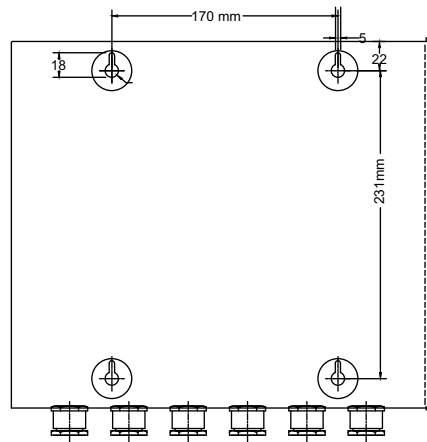
- Cabinet Material** : Metal Sheet Ivory Grey Color
- Cable Entry** : Single Compression Cable Gland
- Dimension** : 305mm(H) X 320mm(W) x 125mm(D)
- Mounting** : Wall mounting / Stand mounting
- Weight** : Approx 4.5 kg

DIMENSIONAL DETAILS

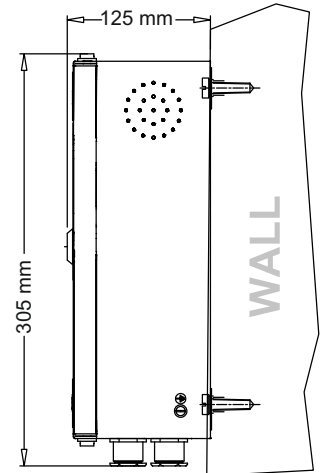
Front View



Back View



Side View



ORDERING INFORMATION

TC-800-MS-X-X

- MODEL NO.**
 - 0) 800 SCANNER
 - 1) 800D LOGGER
- ENCLOSURE**
- RS-485**
 - 0) NONE
 - 1) YES
- INPUT TYPE**
 - 0) PT-100
 - 1) THERMOCOUPLES (J,K,R,S,T,E,B,N)
 - 2) 4-20mA

Manufactured by :



CIMFR



PESO



CE



UL



Ex



TEGEX



MSME



NSIC



GeM

Government e Marketplace



MAKE IN INDIA

AMBETRONICS ENGINEERS PVT. LTD.

17-B, 16, 14A, Tarun Industrial Estate, New Nagardas Road, Mogra Pada, Andheri (E.) Mumbai - 400 069, India.

+91-22-6962 3389 +91-93207 37646 sales8@ambetronics.com
+91-22-61673020/21 +91-91674 18106 sales11@ambetronics.com

Follow us on



Version : TC-800-MS-0-0-R5-07-09-2023