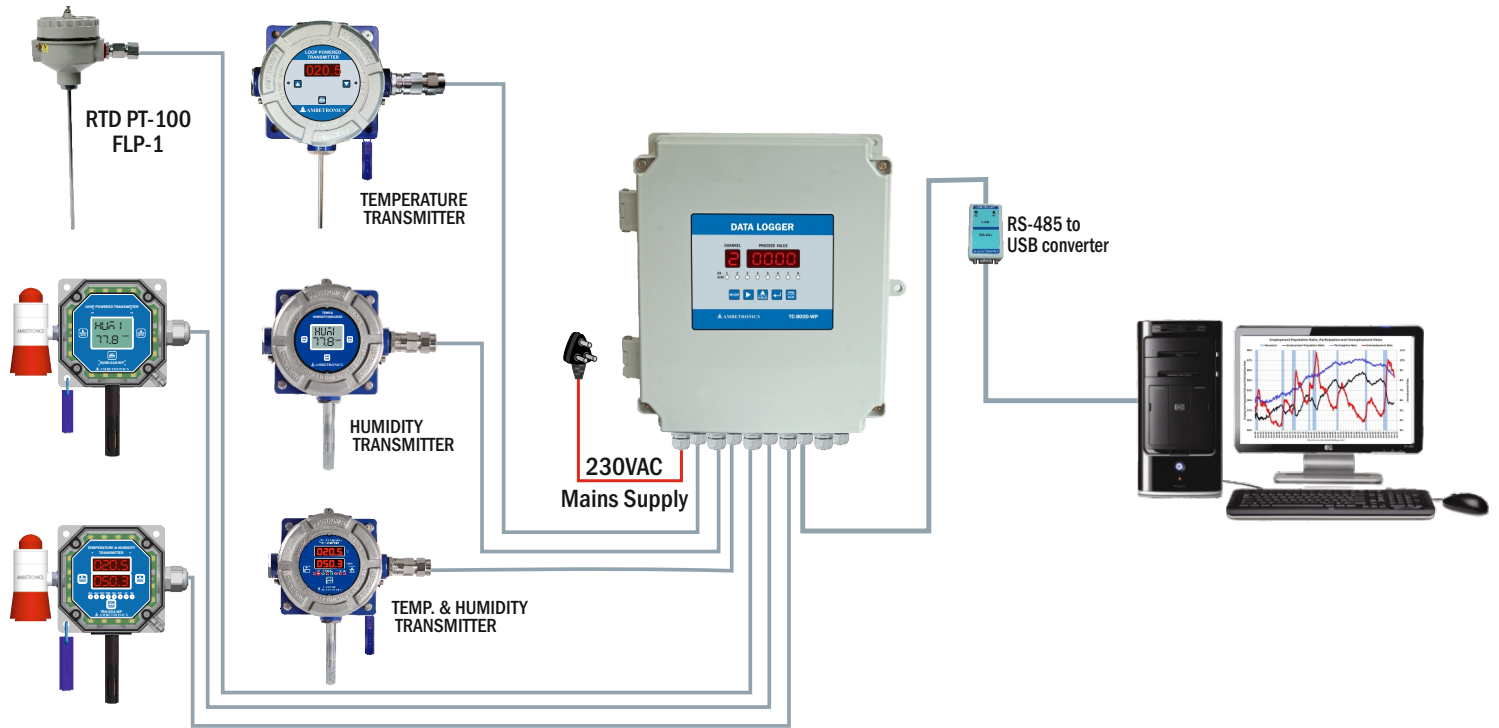


# TC-800 - WP

## Data Scanner / Data Logger



**AMBETRONICS**  
AN ISO 9001:2015 CERTIFIED COMPANY



**ORDER CODE : TC-800-WP-0-0**

- Used latest micro controller based technology for better accuracy
- 8 Channel fixed input for all type of thermocouple (J, K, R, S, T, E, B, N) programmable by user, RTD (PT-100), 4-20mA & 0-10 VDC factory settable
- Easy on-line field calibration by front panel membrane keypad
- Field programmable channel scan time 1 to 59 sec., Logging interval 1 to 9999 sec
- Optional RS-485 / RS-232 Modbus Serial Port
- Automatic cold junction compensation for Thermocouples
- Temp. reading in °C & °F by user selectable

- ISO Certification records, Validation process certifying
- Pharmaceutical process validation with graph & excel report in Autoclaves
- Online profile recording for Oven & BOD, Incubator, Humidity Chamber
- Winding temperature of generators, Bearings, motors, transformers
- To know heat Profile in furnace, foundries for Heat treatment application
- Primary & auxiliary temperature scanning of boiler
- Chemical & Hazardous area where data monitoring is essential
- Room Mapping in Pharmaceutical

# TECHNICAL SPECIFICATIONS

## General :

- Display** : 4 digits of 13 mm height Red L.E.D display for 'Process Value' indication  
1 digit of 13 mm height Red L.E.D display for 'Channel Number' indication
- L.E.D. Indication** : 8 Nos Red L.E.Ds of 3 mm for Alarm Indications i.e. AL1 & AL2
- Set Point** : 2 independent set points for each channel with 2 common relay outputs & programmable latch / non-latch facility for 2 common relays & Alarm indications
- Control Action** : HI - LO, LO - Very LO, HI-Very HI Control action logic; programmable by user
- Relay Output** : 1 NO/C/NC Relay Contact Rated 230VAC/5A for Relay-1 (AL1) & Relay-2 (AL2)
- Setting** : Setting by 5 feather touch keypad on front panel 'MODE', 'SHIFT', 'INC', 'ENT', 'PRN / ACK' for panel & WP model and push keys for Flameproof model.
- Scan Time** : 0 to 59 sec scan/scroll time between each channel; programmable by user
- Logging Interval** : 1 to 9999 Sec log interval for data logger model; programmable by user
- Memory** : Max. 5193 readings storing capacity for all 8 channel in Data Logger model  
Memory saturation, Memory Scrolling (FIFO) & Online PC interface available in Data Logger model
- Monitoring Sensor** : Temperature sensor 'Break / Open' display shows 'oPEn' indication or random value
- Open/Under/Over** : Under range 'undr'. Over range 'OuEr' indication for RTD & all Thermocouple I/4-20mA

## Electrical :

- Supply Voltage** : 100 to 270VAC  
**Frequency** : 50Hz

## Environmental :

- Operating Temperature** : - 40 To 85 C  
**Relative Humidity** : Below 95%RH non condensing

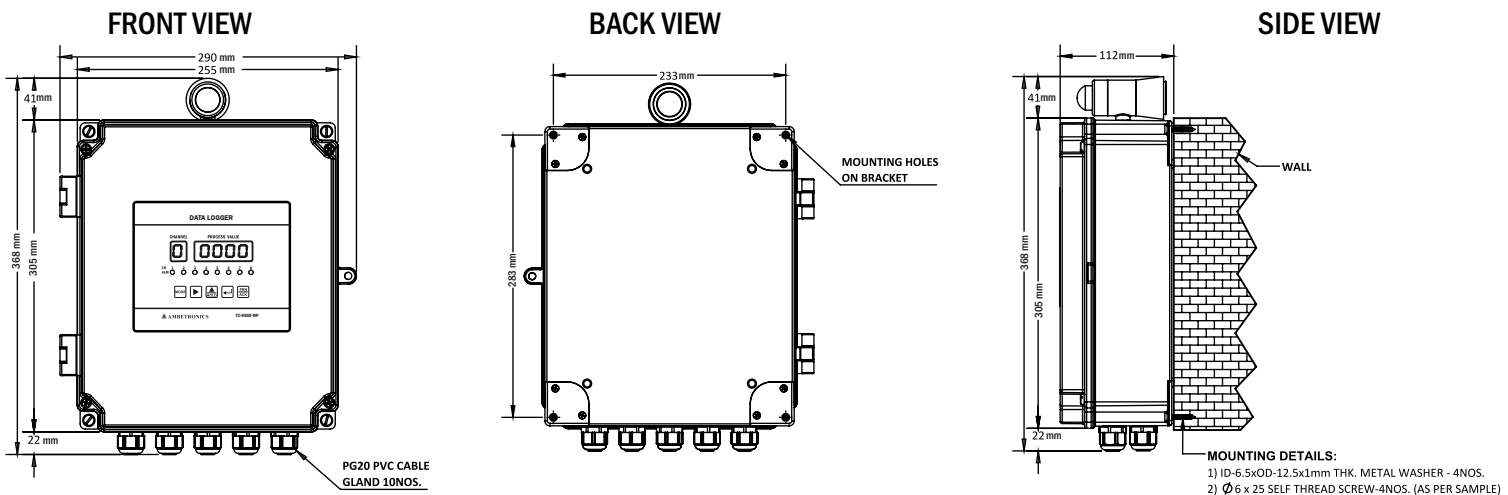
## Optional :

- Isolated RS-485 / RS-232 Serial Port with MODBUS RTU Protocol output.
- SMARTLOG & Smart Pro Data Acquisition Softwares for online graphs & history data reports
- Individual Relay output or Grouping Relay output can be given for each channel

## Weatherproof Housing :

- Protection Class** : IP 65  
**Cabinet Material** : ABS Plastic  
**Cable Entry** : Thermoplastic Cable Gland (IP 68) with Clamping Range of 2.5 to 6.5 mm  
**Dimension** : 368 mm (H) x 290 mm (W) x 112 mm (D)  
**Mounting** : Wall Mounting / Stand Mounting  
**Weight** : Approx 2.5Kg

## DIMENSIONAL DETAILS



## ORDERING INFORMATION

### TC-800-WP-X-X

- |  |                  |                                    |   |
|--|------------------|------------------------------------|---|
| <b>MODEL NO.</b><br>0) 800 SCANNER<br>1) 800D LOGGER | <b>ENCLOSURE</b> | <b>RS-485</b><br>0) NONE<br>1) YES | <b>INPUT TYPE</b><br>0) PT-100<br>1) THERMOCOUPLES (J,K,R,S,T,E,B,N)<br>2) 4-20mA |
|--|------------------|------------------------------------|---|

Manufactured by :



**AMBETRONICS ENGINEERS PVT. LTD.**

17-B, 16, 14A, Tarun Industrial Estate, New Nagardas Road, Mogra Pada, Andheri (E.) Mumbai - 400 069, India.

+91-22-6962 3389 +91-93207 37646 sales8@ambetronics.com  
+91-22-61673020/21 +91-91674 18106 sales11@ambetronics.com



Follow us on

Version : TC-800-WP-0-0-R5-07-09-2023