

LPI-500-SERIES

Loop Powered Indicator-5 Digit L.E.D. Display



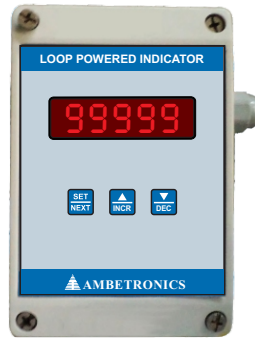
AMBETRONICS
AN ISO 9001:2015 CERTIFIED COMPANY



PANEL MOUNT



WEATHERPROOF



FLAMEPROOF

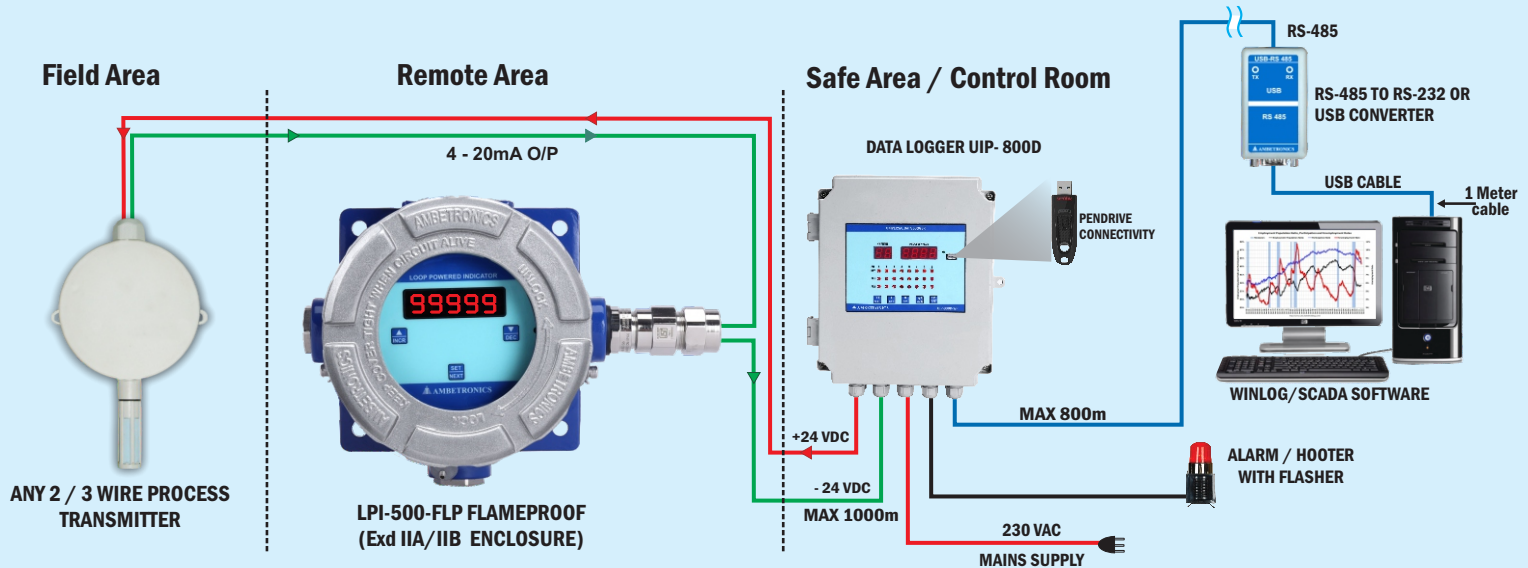
LPI-500-FLP



- Exd IIC T6 IP - 66
- CMRI Tested Enclosure

Magnetic Wand for Programming

Illustration



Features

- User Programmable With Password Protection
- Easy Programming With Push Buttons for WP & PM Model
- Non-Intrusive programming for Flameproof model using Magnetic Wand.
- Temperature coefficient of accuracy 0.005% FS/°C
- Software Calibration - No Trimpots
- Reverse Polarity Protection
- Loop Voltage Drop < 4.8 VDC
- 4 - 20 mA Loop Current Input from Transmitters
- Accuracy $\pm 0.1\%$ Of Full Scale Range
- 5 Digit L.E.D Display
- Range Locking / Unlocking Facility
- Offset Facility To Compensate Field Error
- Operational Mode Linear / Square Root; Programmable by user
- No external Power Supply is required

Applications

- Provides Process value Indicator in various Industrial Control & Measurement Application such as Pressure, Flow, Level, Temp., Humidity etc.
- Remote Indicator at point of measurement or at control end especially where there is no power source
- Being Non Voltage Producing Device can be directly used in Hazardous Area with Suitable Enclosure
- Replaces an Analog Meter with no additional wiring and power connection
- Can be inserted at any point in signal loop as a stand alone as it requires no external power
- Remote Indication location on tank taps as used in liquid level sensing & control

MUST FOR HUMAN & INDUSTRIAL SAFETY

General :

Input : 4-20 mA Loop Current Input from any 2 / 3 Wire Process Transmitter
 Range : -19999 to 99999
 Resolution : 1, 0.1, 0.01, 0.001
 Offset : Adjustable upto ± 10% of range
 Display : 0.39" 5 Digit Red LED Display
 Display Update Rate : Linear mode : 1 sec; Square root mode : 1sec
 Status Indication : i) Display shows 'UndEr/Undr', when Input current falls below set 'UNDER' value (from 3.6mA to 3mA, settable)
 ii) Display shows 'ouEr', when Input current goes above set 'OVER' value (from 20.5mA to 21mA, settable)
 Operational Mode : Linear & square root; programmable by user
 Calibration : Software calibration

Performance :

Accuracy : Linear : ± 0.1% of span;
 Square root : ± 0.2% of span
 Temperature : 0.005%FS/°C
 coefficient of accuracy
 Warm up Time : 10 Sec

Electrical :

Loop Voltage Drop : < 4.8 V DC, @ 24VDC
 Short-circuit protection and Reverse polarity protection

Environmental :

Operating Temperature : -10°C to 50°C
 Relative Humidity : Below 95% non condensing

Panel Mount Housing :

Protection Class : IP-40
 Cabinet Material : ABS Plastic, Black colour
 Cable Entry : Terminal Connector for Connection
 Dimension : 96 (H) x 96 (W) x 85 (D) -in mm
 Mounting : Panel Mounting
 Weight : Approx 250 Grams

Weatherproof Housing :

Protection Class : IP-65
 Cabinet Material : Polycarbonate, Grey colour
 Cable Entry : 1No., Thermoplastic Cable Gland (IP-68)
 Dimension : 121 (H) x 101 (W) x 59.5 (D) -in mm
 Mounting : Wall Mounting / Stand Mounting
 Weight : Approx 250 Grams

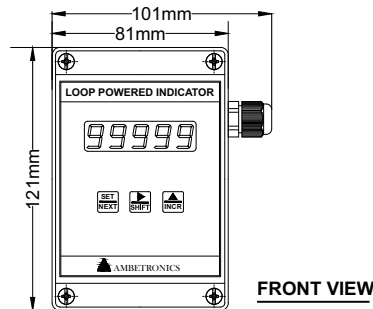
Flameproof Housing :

Protection Class : Blue Enclosure IP-66
 Approval : CMRI approved for IIA & IIB Gas Group
 Cabinet Material : Cast Alluminium alloy, LM-6 / C.I. Enclosure
 Cable Entry : Flameproof, IP66
 Double Compression Cable Gland - M20 x 1.5 (P)
 Dimension : 155mm (H) x 223 mm (W) with stopper plug & cable gland x 125 mm (D)
 Mounting : Wall Mounting / Stand Mounting
 Weight : Approx 1 Kg

Note : For other Flameproof Model housing (IIC, CMRI/PESO Tested) Dimensions will be provided on request.

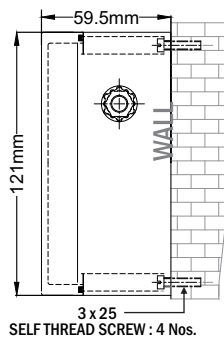
ENCLOSURE DIMENSIONS

WEATHERPROOF ENCLOSURE

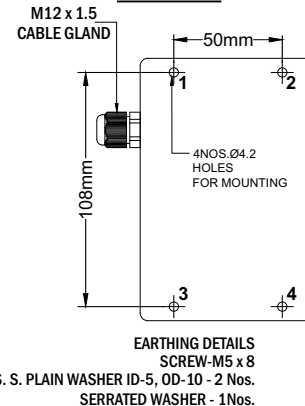


NOTE : 1) ALL DIMENSION ARE IN mm.
 2) SIZE : 101(W) X 121(H) X 59.5(D)

SIDE VIEW

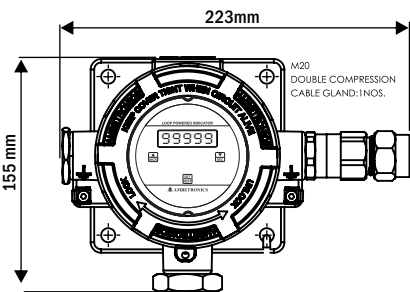


BACK VIEW

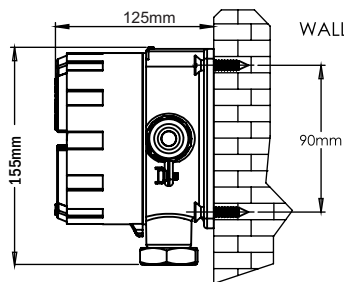


FLAMEPROOF ENCLOSURE

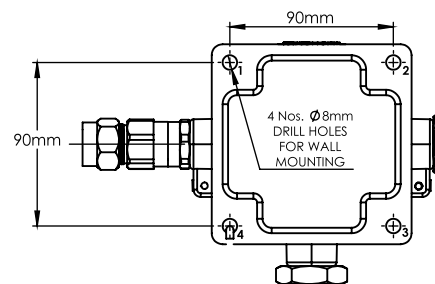
FRONT VIEW



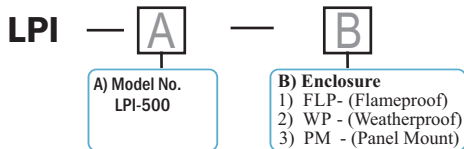
SIDE VIEW



BACK VIEW



ORDERING INFORMATION



Manufactured by :



AMBETRONICS ENGINEERS PVT. LTD.

17-B, 16, 14A, Tarun Industrial Estate, New Nagardas Road, Mogra Pada, Andheri (E.) Mumbai - 400 069, India.

+91-22-69623389
 +91-22-61673021/22

+91-93207 37646
 +91-91674 18106

sales8@ambetronics.com
 sales11@ambetronics.com



Follow us on

Version : LPI-500 series-R2-18-09-2023