

Temp. & Humidity Transmitter Octa Safe Series

TRH-554-WP



AMBETRONICS™
AN ISO 9001:2015 CERTIFIED COMPANY



ORDER CODE : TRH-554-WP-0-0-Octa Safe

Features

- Highly accurate Digital technology sensor gives fast and reliable output.
- Temperature range is -40°C to +100°C with accuracy of ± 0.5 °C.
- Relative Humidity range is 0% RH to 100%RH with accuracy of ± 2 %RH.
- Long term stable output for both Temperature and Relative Humidity.
- Digital Display of Temperature & Relative Humidity on Seven Segment Display
- Standard 4-20mA signal outputs with configurable range.
- Easy handling & programming with 3 keys
- Password protected programming with password changing facility.
- Software calibration for both Temperature & Relative Humidity.
- Flash Memory for Data security in the event of power failure.
- Optional 2 Nos. Alarm relay contacts with two configurable Alarm levels & one relay for fail safe relay.
- Optional Isolated RS-485 communication port with MODBUS RTU Protocol.
- Compact size, can be easily installed.

Applications

- Clean Rooms
- Server Room
- Pharmaceutical
- Hospitals / Labs
- Walk-in-cooler
- Greenhouse Breeding
- Warehouse / Cold Room
- Indoor Air Quality (IAQ)
- Air Condition Room
- Energy Management System (EMS)

MUST FOR YOUR PROCESS

TECHNICAL SPECIFICATIONS

General

Sensor Type	: Capacitive Polymer sensor
Range	: For Temperature : -40°C to 100°C For Relative Humidity : 0 to 100% RH
Display	: 2-Line, 4-Digit 13mm (H) Seven Segment Display. 8 LEDs to indicate status of instrument.
Control Action	: i) Two independent Alarm set points with Latch & Non-latch facility. : ii) User selectable Hysteresis
Setting	: By 3 Keys on front panel for WP model

Performance

Measurement	: ± 0.5°C for Temperature
Accuracy	: ± 2% RH for Relative Humidity
Response Time	: Approx 5 Seconds

Electrical

Supply Voltage	: 18 to 36 VDC; Typically 24VDC.
Power Consumption	: Less than 3.5 Watts
Cable	: 3 Wires (1.5 mm ²) Flexible or Armoured Shielded Cable.

Error Monitoring

- During Sensor break / open, the Display shows 'SENS OPEN' & output current will be as per Upscale/Downscale.
- During Over Range the Display Shows 'OVER' & Under range Display Shows 'UNDER' output current will be as per Upscale / Downscale
- Upscale current = 21mA
- Down scale current = 3.7mA

Output Signal

Standard	: Two 4-20mA Current Outputs with configurable range selection, one each for Temperature & Relative Humidity Respectively
Optional	: Three SPDT Relays (one for failsafe and two for Alarm Condition) of rating "120VAC/2A, 24VDC/2A"
Optional	: Isolated RS-485 Communication port with MODBUS RTU protocol.

Environmental

Operating Temperature	: -15 to +55°C
Humidity	: Less than 95% Non-Condensing.

Accessories

- CE certified 24 VDC Power supply.
- Canopy Mounting stand.
- SCADA Software.
- RS-485 to USB convertor
- RS-232 to RS-485 convertor
- Hooter cum Flasher

Weatherproof Housing

Protection Class	: IP-65
Enclosure Material	: Polycarbonate, Grey Colour (RAL7032)
Cable Entry	: Thermoplastic cable gland (IP 68)
Dimension	: 247 mm (H) x 171 mm (W) with hooter cum flasher x 70mm (D) (with 1 gland) 247 mm (H) x 156 mm (W) with both side gland x 70mm (D) (with 2 glands)
Mounting	: Wall Mounting / Stand Mounting / Pipe Mounting
Weight	: Approx 600 Grams.

ORDERING INFORMATION

1) TRH-554-WP-0-0-Octa Safe

MODEL NO.

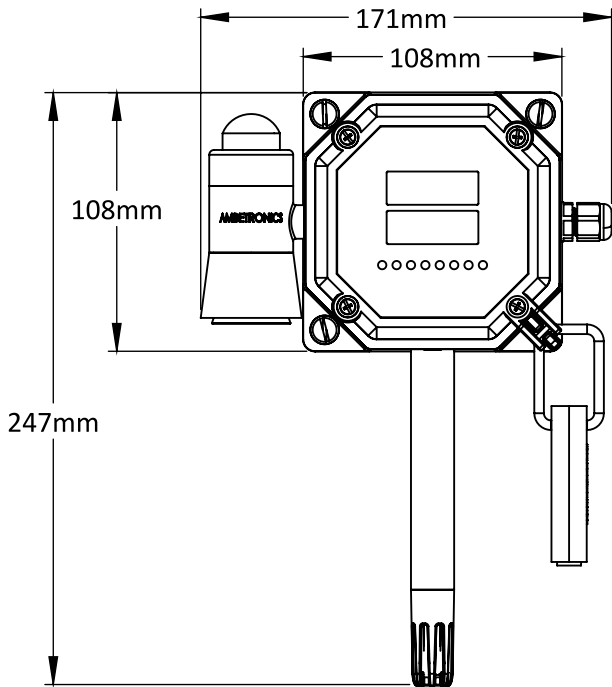
I- Integrated
E- Extended

Output
1- 4-20mA
2- RS 485
3- Relay output

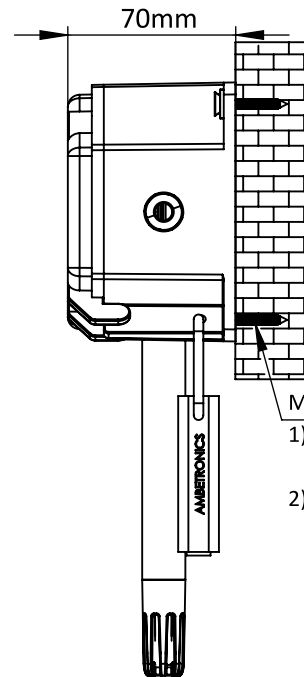
ENCLOSURE

* Before placing order please Refer the above ordering information or Contact us for assistance.

FRONT VIEW

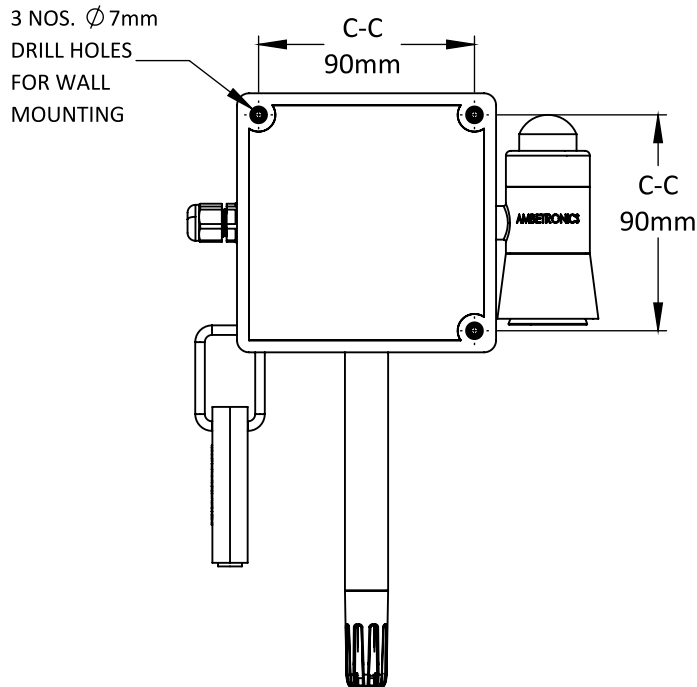


SIDE VIEW

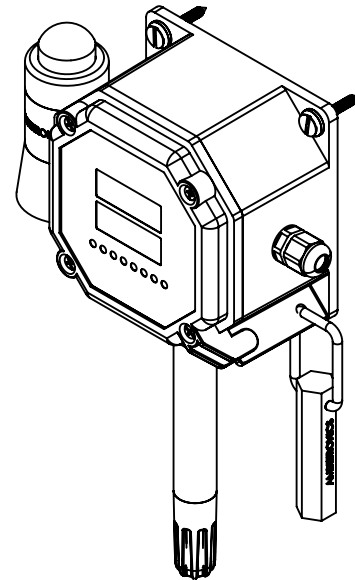


- MOUNTING DETAILS :
- 1) METAL WASHER
ID-6mm, OD-12mm, 3 NOS.
 - 2) 5X30 CHIPBOARD SCREW 3 NOS.

BACK VIEW



ISOMETRIC VIEW



NOTE : 1. ALL DIMENSIONS ARE IN "mm", UNLESS OTHERWISE SPECIFIED.
2. TOLERANCE ON DIMENSION ± 5 mm, UNLESS OTHERWISE SPECIFIED.

Manufactured by :



AMBITRONICS ENGINEERS PVT. LTD.

17-B, Tarun Industrial Estate, Mogra Pada, New Nagardas Road, Andheri (E.) Mumbai - 400 069, India.

Mob.: +91-9324571143 • 91-9137820984 • Tel.: +91-22-61673000/58 /63/64

E-mail : sales@ambtronics.com • sales1@ambtronics.com • Web : www.ambtronics.com

Follow us on



Version TRH-554-WP-R5-01-07-2024